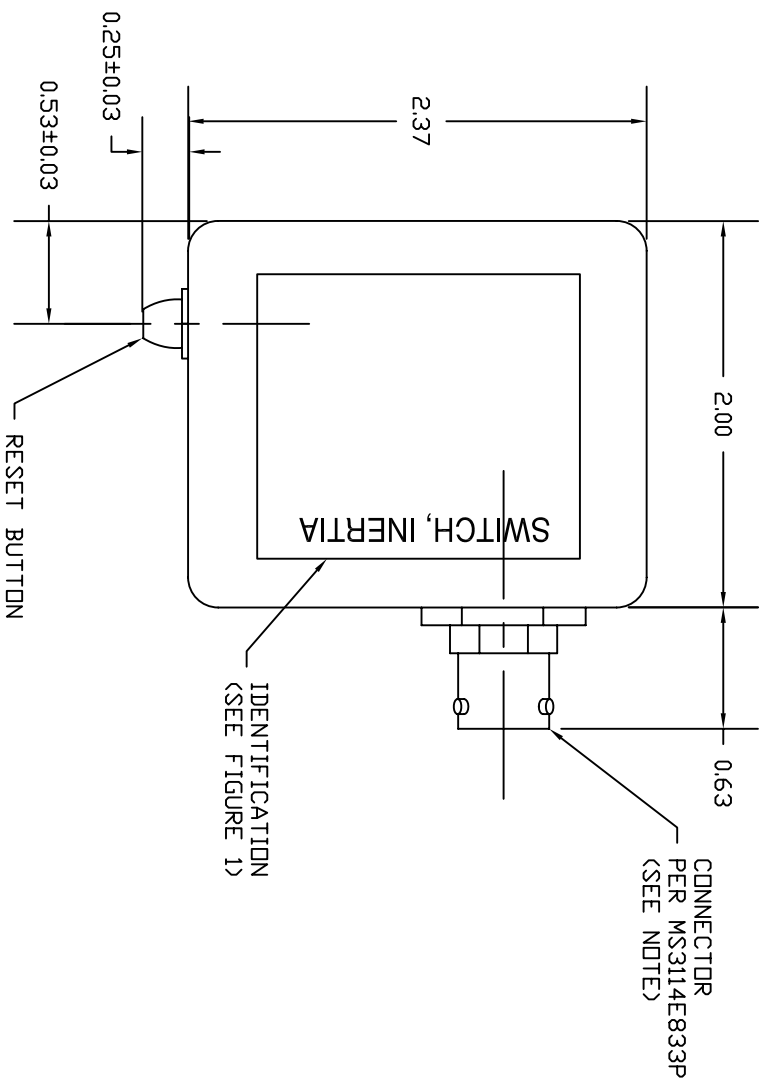
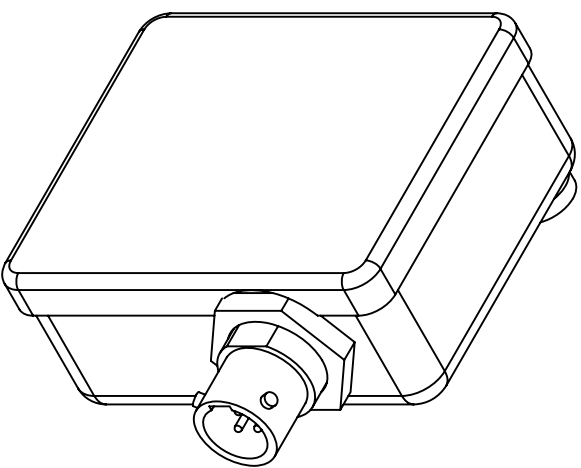
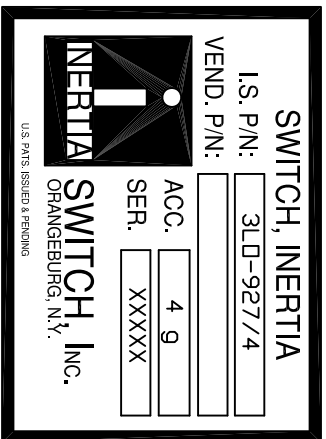
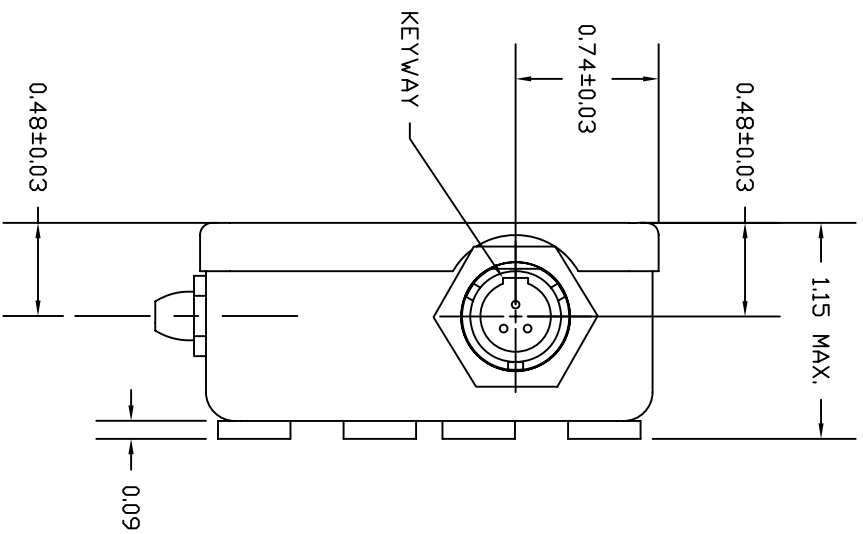
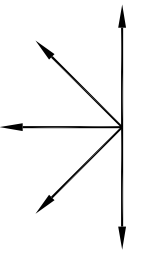


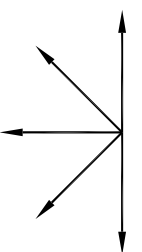
FIGURE 1  
 (LABEL REPRESENTS MARKING FOR A 4 g SETTING)



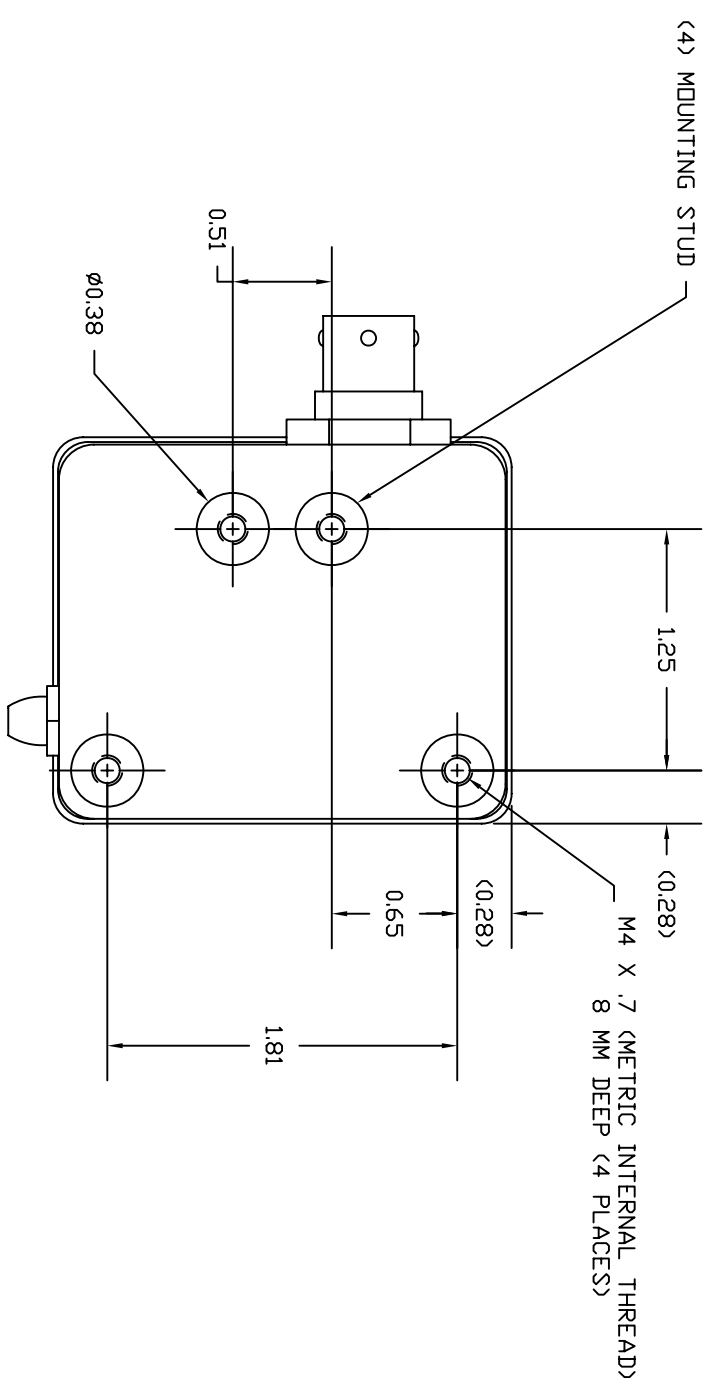
DIRECTIONS OF SENSITIVITY



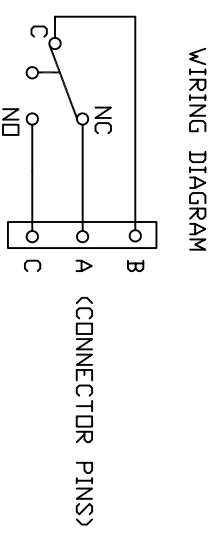
DIRECTIONS OF SENSITIVITY



SPECIFICATIONS	
SENSITIVITY	HEMISPHERICAL, LATCHING
G RANGE	3 TO 10 G'S, ± 10%
INSULATION RESISTANCE	500 MEGS MIN @ 500 V.D.C.
CONTACT RATING	5 AMPS @ 28 VDC, 5 AMPS @ 125 VAC
CONTACT RESISTANCE	LESS THAN 0.5 OHMS
RESET	MANUAL PUSH BUTTON
CONTACT TYPE	S.P.D.T.
TERMINATION	CONNECTOR MIL-C-26482, SER 1
WEIGHT	150 GRAMS MAX.



NOTE:  
 USES MATING CONNECTOR MS3116E8-33S  
 MIL-C-26482 SERIES 1, INERTIA SWITCH  
 P/N A16492.



WIRING DIAGRAM

REV	DESCRIPTION	DATE	CO. NO.	CHK'D	USED ON	HEAT TREAT	SCALE	DWG NO.	REV
A	ADDED BOTH (28) DIMENSIONS.	4/22/02	23654	ATS	3LO-927	HEAT TREAT	1:1	B16903	A
	REVISIONS								

UNLESS OTHERWISE SPECIFIED:  
 BREAK ALL SHARP EDGES .010" X 45°  
 #64 MACHINE FINISH.  
 ALL DIMS. TO BE MET AFTER PLATING.  
 DIMENSIONS ARE IN INCHES.  
 TOLERANCES:  
 DEC .XX ±.010  
 DEC .XXX ±.005  
 FRAC ± 1/64  
 ANG ± .005  
 DIA CONC ± .005

TITLE  
 MODEL 3LO-927

MATERIAL

FINISH

INERTIA  
 SWITCH INC.  
 ORANGETBURG, N.Y.