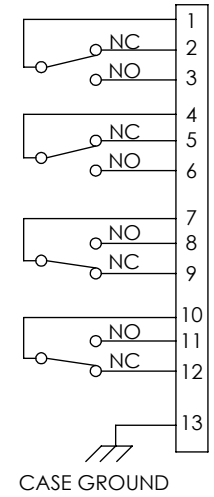
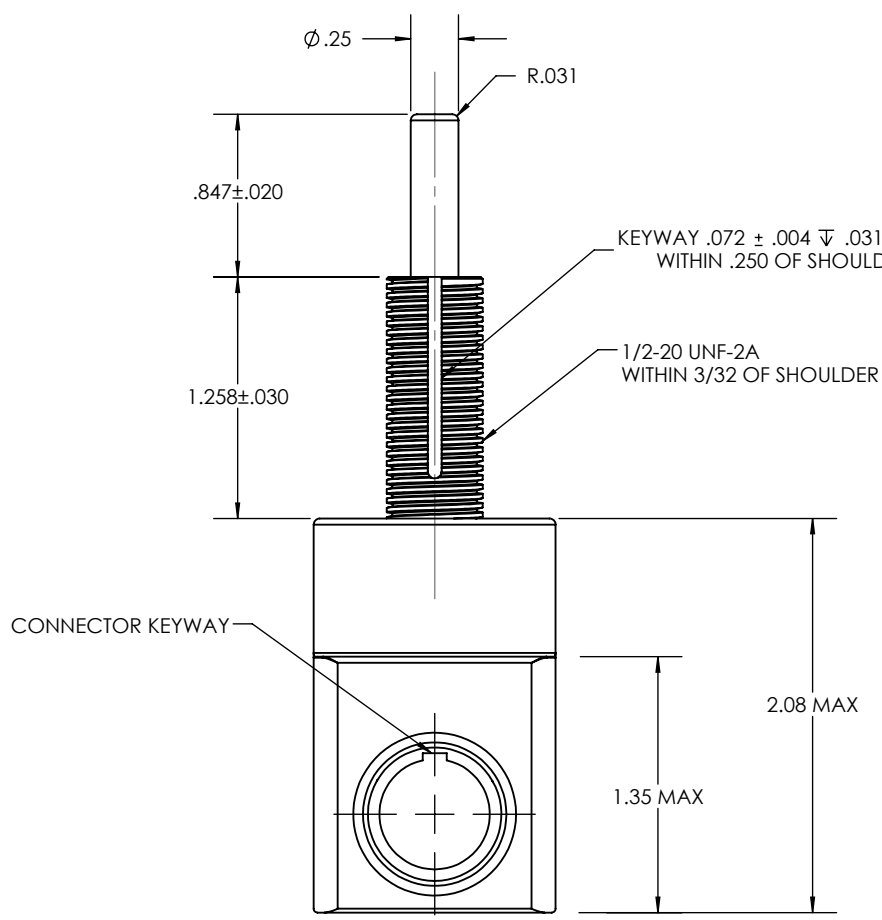
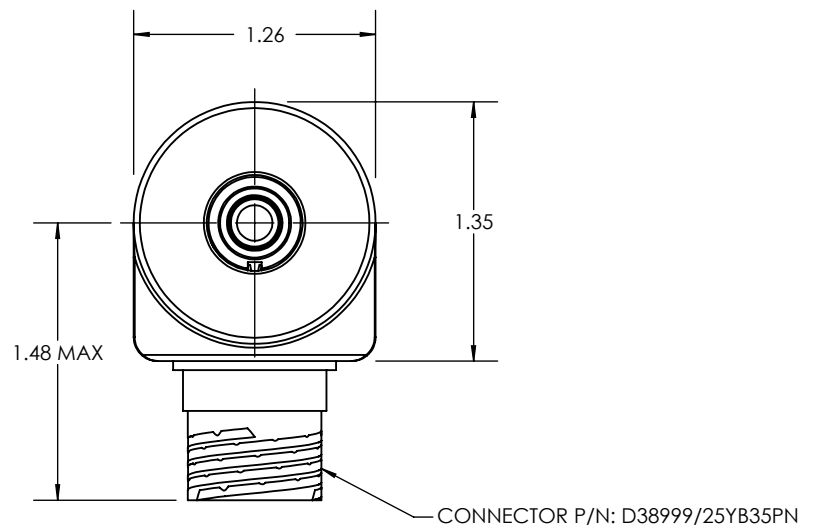
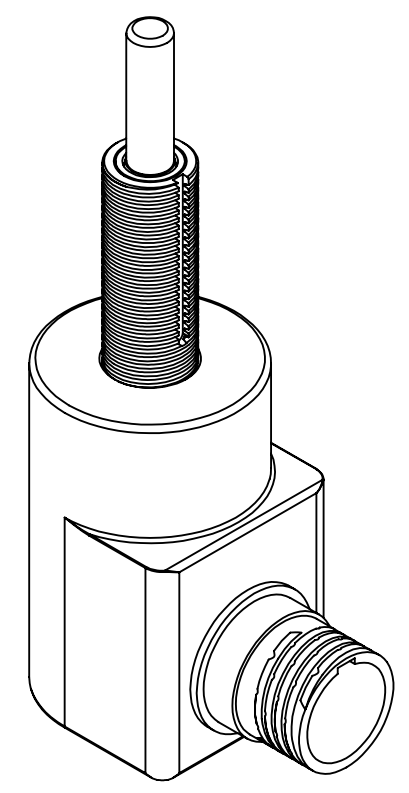


REVISIONS				
REV.	DESCRIPTION	DATE	DCA #	APPROVED



SWITCH SHOWN WITH
PLUNGER IN DEACTIVATED
POSITION



- NOTES:
- CHARACTERISTICS, MECHANICAL:
PRETRAVEL: .030 MAX
OPERATING FORCE: 10 LBS MAX
OVERTRAVEL: .600 MIN
OVERTRAVEL FORCE: 30 LBS MAX
RELEASE FORCE: 2 LBS MIN
MOVEMENT DIFFERENTIAL: .020 MAX
 - CHARACTERISTICS, ELECTRICAL:
CURRENT RATINGS:
SEA LEVEL, 28 VDC: 5 A RES 2 A IND 4 A MOT
50,000 FEET, 28 VDC: 5 A RES 2 A IND
 - MARKING: MARKING SHALL INCLUDE PART NUMBER, DESCRIPTION, SERIAL NUMBER, AND MANUFACTURE'S CAGE CODE.
 - SEAL: UNIT ENCLOSURE SHALL BE CATEGORY 3 (WATERTIGHT) IAW MIL-PRF-8805.
 - SERVICE: UNIT SHALL BE OPERABLE FROM -55 °C to +85 °C.

PROPRIETARY AND CONFIDENTIAL THE INFORMATION CONTAINED IN THIS DRAWING IS THE SOLE PROPERTY OF INERTIA SWITCH INCORPORATED. ANY REPRODUCTION IN PART OR AS A WHOLE WITHOUT THE WRITTEN PERMISSION OF INERTIA SWITCH INCORPORATED IS PROHIBITED.	UNLESS OTHERWISE SPECIFIED: BREAK ALL SHARP EDGES .005" X 45° #64 MACHINE FINISH. ALL DIMS. TO BE MET AFTER PLATING. DIMENSIONS ARE IN INCHES.	APPROVALS		DATE	TITLE	 ORANGEBURG, NEW YORK 10962 CAGE CODE: 21928 SIZE B DRAWING / ITEM NO. 2353200
		DRAWN	JC	11/4/11	OUTLINE, MODEL 7LS-1002	
		CHECKED	ATS	1/18/12	MATERIAL	
		ENG APPR.	BJD	1/18/12	FINISH	
TOLERANCES: DEC .XX ± .010 DEC .XXX ± .005 FRAC ± 1/64 ANG ± 1° DIA CONC ± .005	SYMBOLS: ● CRITICAL DIMENSION ▽ TEXT NOTE	THIRD ANGLE PROJECTION		HEAT TREAT		
ORIG. USED ON 7LS-1002	DO NOT SCALE DRAWING	SCALE 1:1	SHEET 1:1	WEIGHT -		