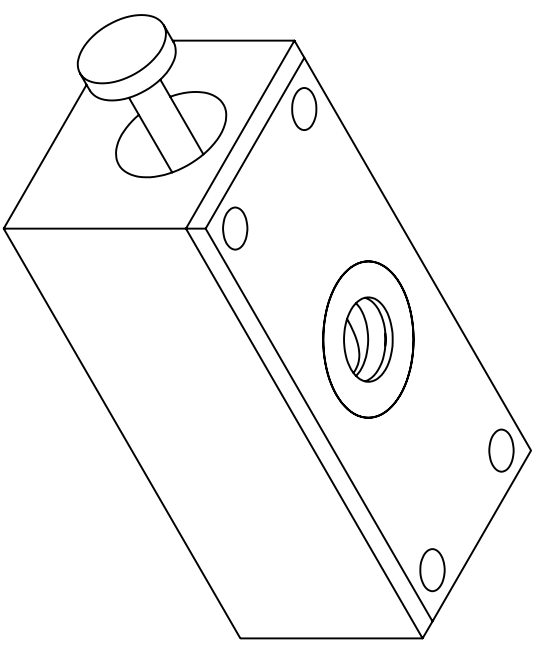
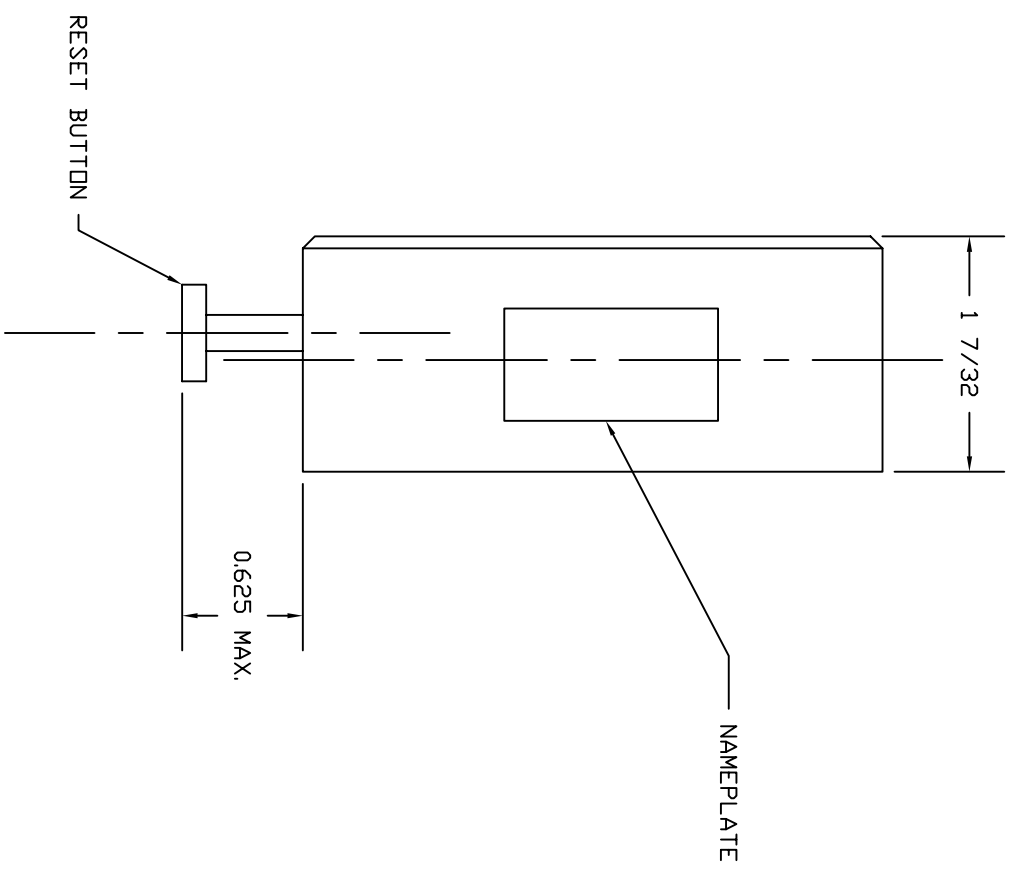


ACCELERATION →



MODEL NO.	CALIBRATION
SR387-015	1.5 G'S
SR387-025	2.5 G'S
SR387-035	3.5 G'S
SR387-045	4.5 G'S

REV	DESCRIPTION	DATE	CO. NO.	CHK'D
D	REDRAWN TO SHOW WINDOW REVISION	7/19/99	23503	BD
C	4.5 G'S ADDED TO SCHED.	N/A	N/A	CD
B	PER REQUEST LOCKHEED PART NOS CHANGED; ELIMINATED DASH & DECIMALS; IDENT. CODE NO. ADDED	11/10/67	N/A	CD
A	MODEL NO. BOX ADDED; ACCEL. RELOC.	10/16/67	N/A	CD

TITLE		VISUAL SHOCK RECORDER MOD. SR387	
IDENTIFICATION CODE NO.		21928	
MATERIAL			
FINISH			
HEAT TREAT			
SCALE		1:1	
DWG. NO.		B13395	
REV		D	

UNLESS OTHERWISE SPECIFIED:
BREAK ALL SHARP EDGES. 0.10" X 45°
ALL DIMS. TO BE MET AFTER PLATING.
DIMENSIONS ARE IN INCHES

TOLERANCES:

DEC ±.010
 DEC ±.005
 FRAC ± 1/64
 ANG ± .005
 DIA CONC ± .005

USED ON SR-387

NEXT ASSEM. N/A

QTY 1

INERTIA SWITCH INC.
W. NYACK, N. Y.