

Inertia Switch Acceleration Switches

Space Series Inertia Switches



DESCRIPTION

- The space series inertia switches are intended for the stringent deep space environment. These fully qualified models can be tailored for any application requiring high reliability switching. No power is required for operation. Environmental stress acceptance testing is performed on every ship set and qualification unit.

APPLICATIONS

- Crash Detection, Impact, Velocity
- Centrifugal, Motion, Acceleration
- Fuzing, Arming, Stage Separation
- Power Cessation, Wake Up
- Launch
- Safety Cut Off
- Parachute Deployment
- Many More

AVAILABLE FEATURES

- Single or multi-axis
- Latching or momentary response
- Can carry AC or DC current
- High reliability and accuracy
- Small and lightweight
- Requires no power
- Terminals, cables, or connectors

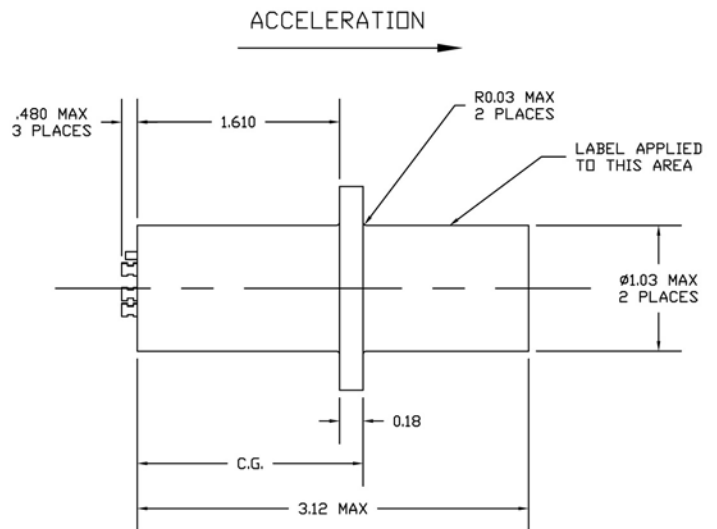
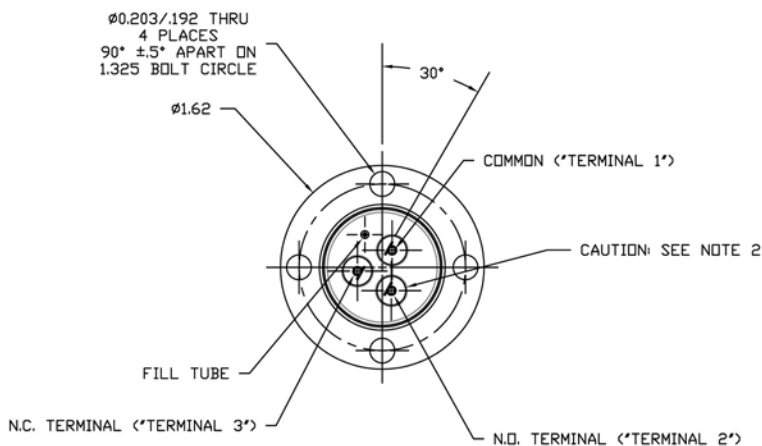
Special Features:

- High Reliability & Accuracy 1%
- Recently Qualified on Space Station
- Withstand High Vibe & Shock
- CNC Machined and Hand Crafted
- Hermetically Sealed MIL-PRF-8805
- Detect Low or High G's
- Cable or Connectors Available
- Other Mounting Options Available
- No Springs or Power Required
- Over 20 Generations in Service Since 1960
- Available in Smaller Packages & Latching



SPECIFICATIONS	
SENSITIVITY	UNIDIRECTIONAL
G RANGE	1.0 TO 100g's
RESET	AUTOMATIC ONCE g's DECAY
INSULATION RESISTANCE	100 MEGOHMS MIN PER MIL-PRF-8805
CONTACT RATING	1 AMP, 32 VDC
CONTACT RESISTANCE	LESS THAN 0.5 OHMS @ 10 mADC
DIELECTRIC	500 uA MAX @ 1000 VAC, 60 HZ
CONTACT BOUNCE	5 mS MAX
TERMINATION	TERMINAL MIL-C-26482, SER 1
WEIGHT	.25 KG MAX
SEAL	HERMETIC, 1.0E-7 CC/SEC 90% NITROGEN, 10% HELIUM

EXTERNAL MATERIALS LIST		
NAME	BASE MATERIAL	FINISH
CASE	ALUMINUM 7075-T651	ELECTROLESS NICKEL PER MIL-C-26074,CL3, GR B
HEADER	ALUMINUM 7075-T651	ELECTROLESS NICKEL PER MIL-C-26074,CL3, GR B
TERMINAL	COLD ROLLED STEEL HERMETIC BOND TO GLASS	SOLDER FINISH PER MIL-STD-202 METH. 208
FILL TUBE	BRASS QQ-B-626, COMP 22	BRIGHT ANNEALED, DEAD SFT; TIN PLATE PER MIL-T-10727A
SOLDER	95/5 & 60/40 SOLDER	QQ-S-571

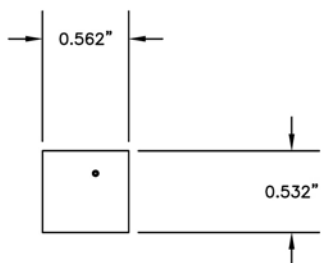


The information on this data sheet is for reference only. Please verify all specifications by consulting our engineering department for the appropriate outline control drawing.

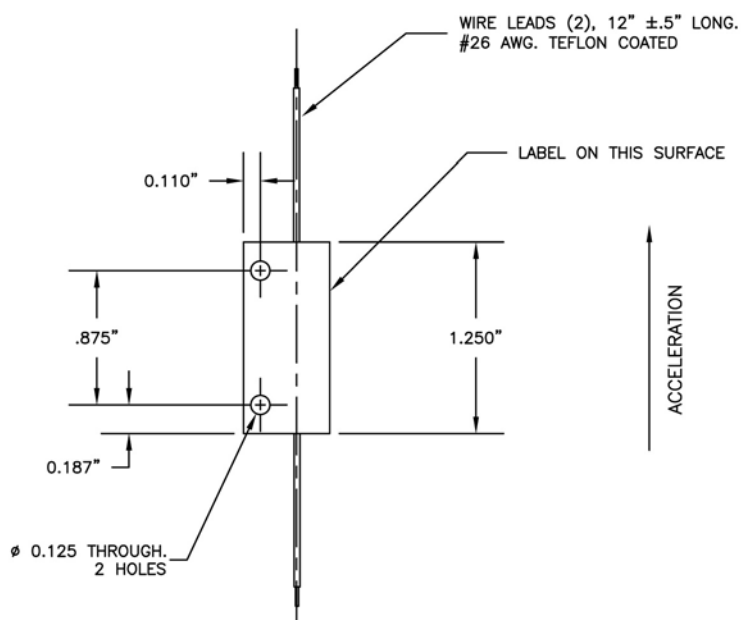
Launch Detector

Special Features:

- High Reliability & Accuracy
- Small & Lightweight
- Withstand High Vibe & Shock
- Qualified on Space Shuttle
- Contacts Hermetically Sealed
- Easy Installation
- Available Normally Open or Closed
- Multiple Poles Available
- Less than 200 Microsecond Bounce



SPECIFICATIONS	
SENSITIVITY	UNIDIRECTIONAL
CONTACT RESISTANCE	LESS THAN 0.5 OHMS
INSULATION RESISTANCE	500 MEGS MIN @ 500 V.D.C.
CONTACT RATING	3 WATTS MAX.
TEMP. OPERATING	-65°F TO +250°F
RESET TYPE	AUTOMATIC, BEFORE 1.1 G
CONSTRUCTION	EPOXY SEALED
ACCELERATION	STANDARD RANGE 1.5 - 2.5 G'S ±10%



The information on this data sheet is for reference only. Please verify all specifications by consulting our engineering department for the appropriate outline control drawing.

Low G Precision Instrument

Tilt, Angle, Stall, Crash, Spin, Launch, Zero G Detection
Acceleration, Motion, Inertia

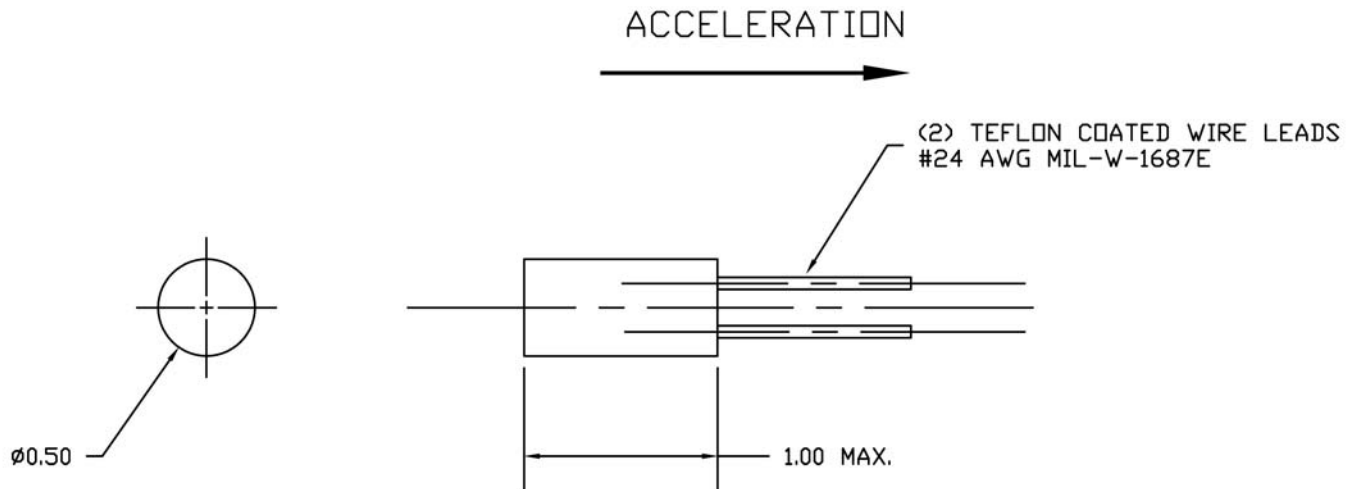


Special Features:

- High Reliability & Accuracy
- Small & Lightweight
- Aircraft and Space Qualified
- Custom Leads Available
- Available Damped or Undamped
- Palladium Contact
- Normally Open or Normally Closed
- Extremely Accurate Below 1g
- No Power Required

Specifications:

Sensitivity.....Unidirectional
G Range.....0.1 to 10g
Accuracy.....10% std, 5% avail
Contact Type.....SPST
Contact Rating.....1.0A @ 28 VDC
Insulation Resistance.....1000 Mohms @ 500 VDC
Operating Temperature.....-55C to 125C
Response Time (1).....<10ms
Reset.....Automatic g decay
Seal.....Hermetic



(1) Response time depends upon input pulse profile.

The information on this data sheet is for reference only. Please verify all specifications by consulting our engineering department for the appropriate outline control drawing.