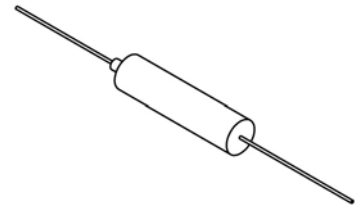


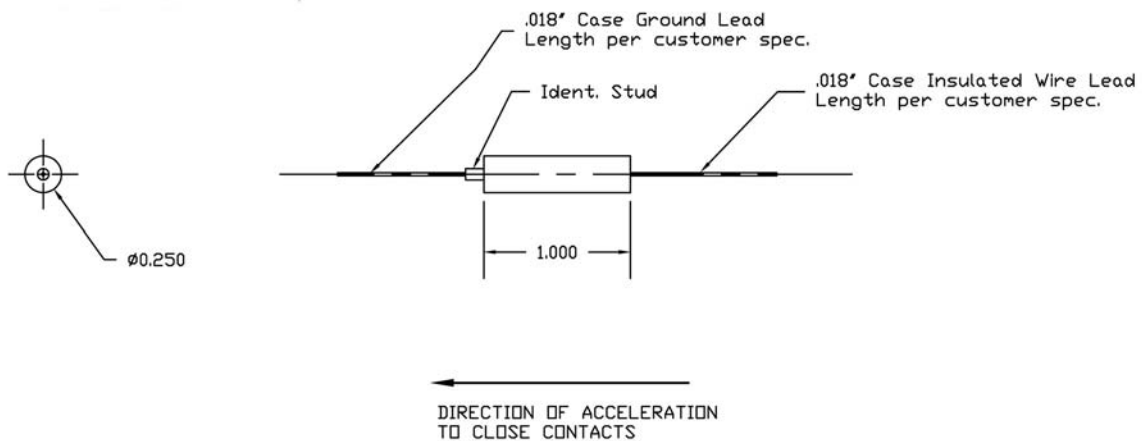
## Single Axis Latching



SPECIFICATIONS	
SENSITIVITY	UNIDIRECTIONAL, LATCHING
ACTUATE G LEVEL RANGE	10 to 3000 G'S
LATCH G LEVEL RANGE	10 to 3000 G'S
CONTACTS	S.P.S.T. N.O.
INSULATION RESISTANCE	1000 MEGOHMS @ 500 VDC
CONTACT RATING	2A @ 28 VDC
RESPONSE TIME	LESS THAN 5 mS
TEMPERATURE	-55 °C TO +125 °C
TERMINATION	WIRE LEADS

### Special Features:

- High Reliability & Accuracy
- Small & Lightweight
- Reliable High Force Latch
- Custom Leads Available
- Magnetic Bias Force
- Gold Contacts
- High Shock & Temperature Versions
- Normally Open or Closed Contacts
- No Power Required



The information on this data sheet is for reference only. Please verify all specifications by consulting our engineering department for the appropriate outline control drawing.